

Products > Balls & Hemispheres > Sapphire Hemispheres

Hemisphere Lens & Drum Lenses

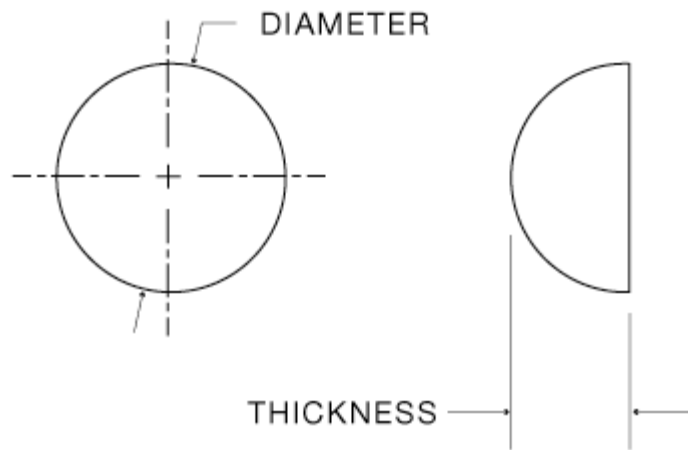
Swiss Jewel supplies hemispheres from materials such as Sapphire, Ruby, Glass, Fused Silica, and Cubic Zirconia which are ideal as Hemispherical Lenses and Spacers. Other sizes and materials are available upon request with typically good delivery time.

Typical Applications: Fiber Optics, LED, Bar Code Readers



Model	Diameter	Diameter (Mm)	Thickness	Grade	Material
H016	.0157"	0.40mm	.0078"	25	Sapphire
H020	.0196"	0.50mm	.0098"	25	Sapphire
H040	.03937"	1.00mm	.0196"	25	Sapphire
H080	.0787"	2.00mm	.0393"	25	Sapphire
H100	.0984"	2.50mm	.0492"	25	Sapphire
H120	.1181"	3.00mm	.0590"	25	Sapphire
H125	.1250"	3.175mm	.0625"	25	Sapphire
H155	.1575"	4.00mm	.0787"	25	Sapphire
H187	.1875"	4.76mm	.0938"	25	Sapphire
H200	.1969"	5.00mm	.0984"	25	Sapphire
H240	.2362"	6.00mm	.1181"	25	Sapphire
H250	.2500"	6.35mm	.1250"	25	Sapphire

Hemisphere Lens Cross Section



NOT SEEING EXACTLY WHAT YOU NEED?

We specialize in creating a wide range of custom optical components and custom mechanical components including a variety of shapes - from internal holes and tapers to outer flanges, angles and surface finishes. Contact us (800-922-0118) and we will consult with you to create a custom component that meets all of your specifications.