

Products > Balls & Hemispheres > BK-7 Glass Hemispheres > HBK7-1.0

BK-7 Glass Hemispheres - HBK7-1.0

Specifications

Model	HBK7-1.0
Diameter	.0394"
Diameter (mm)	1.00
Thickness	.0197"
Material	BK-7

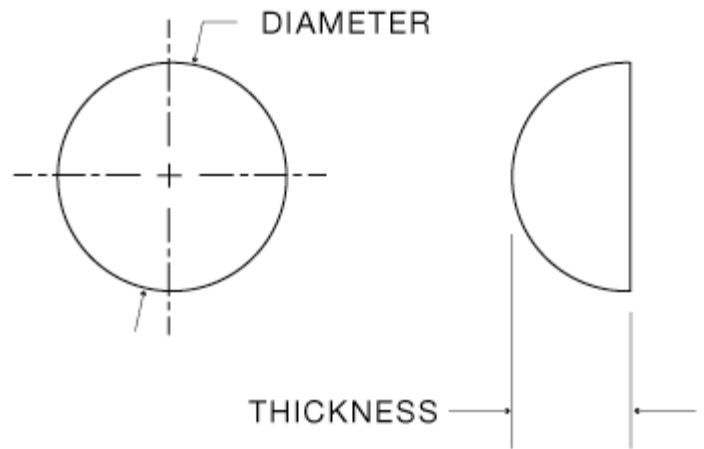


Description

BK-7 Hemisphere Lenses are ideal for mounting in your instrument and ease of handling.

Typical Applications

- Fiber Optics
- LEDs



NOT SEEING EXACTLY WHAT YOU NEED?

We specialize in creating a wide range of custom optical components and custom mechanical components including a variety of shapes - from internal holes and tapers to outer flanges, angles and surface finishes. Contact us and we will consult with you to create a custom component that meets all of your specifications.