

Products > Balls & Hemispheres > BK-7 Glass Hemispheres > HBK7-1.5

# BK-7 Glass Hemispheres - HBK7-1.5

## Specifications

<b>Model</b>	HBK7-1.5
<b>Diameter</b>	.0590"
<b>Diameter (mm)</b>	1.50
<b>Thickness</b>	.0295"
<b>Material</b>	BK-7

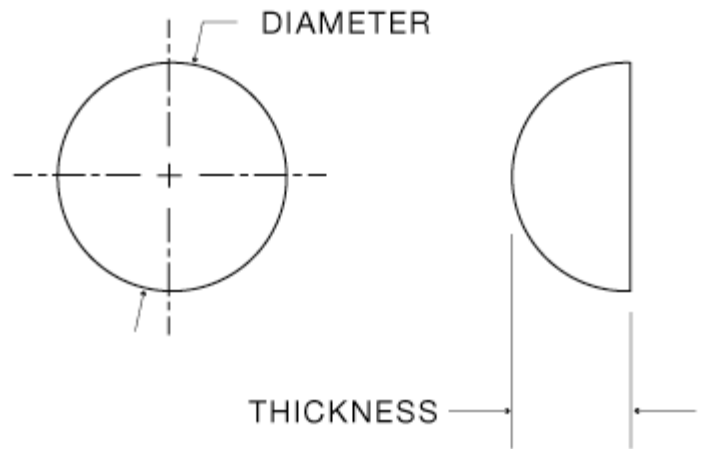


### Description

BK-7 Hemisphere Lenses are ideal for mounting in your instrument and ease of handling.

### Typical Applications

- Fiber Optics
- LEDs



### NOT SEEING EXACTLY WHAT YOU NEED?

We specialize in creating a wide range of custom optical components and custom mechanical components including a variety of shapes - from internal holes and tapers to outer flanges, angles and surface finishes. Contact us and we will consult with you to create a custom component that meets all of your specifications.